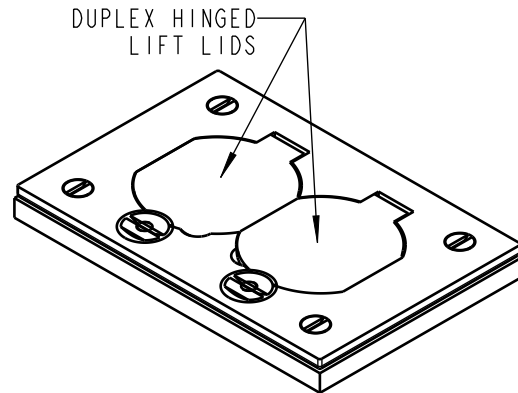
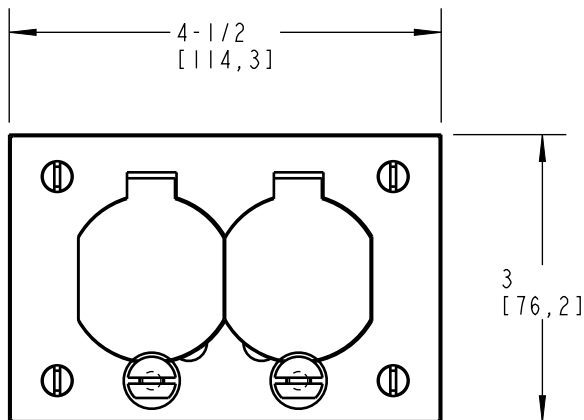


CATALOG NUMBERS:
P 64 DS, P 64 DS AL



FEATURES:

1. FOR USE WITH 61W, 62W, 63W, 640P, 640, 740 AND 840 SERIES FLOOR BOXES
2. AVAILABLE IN BRASS AND ALUMINUM FINISH
3. FURNISHED COMPLETE WITH SEALING GASKET AND MATCHING 8-32 X 7/16 IN. SCREWS
4. MOP TIGHT. MEETS UL SCRUBWATER REQUIREMENTS FOR TILE AND WOOD FLOORS.

CATALOG NUMBERS	MATERIAL	FINISH
P 64 DS	SOLID BRASS	BRASS
P 64 DS AL	ALUMINUM	ALUMINUM

GENERAL NOTES

1. ALL DIMENSIONS ARE FOR REFERENCE ONLY.
2. DIMENSIONS IN BRACKETS [] ARE IN METRIC UNITS.

REVISIONS

A SEE ECN (****) FOR APPROVAL SIGNATURES & RELEASE DATE.
PROJECT NO: ****

DESCRIPTION:

**P 64 DS, P 64 DS AL
DUPLEX COVER PLATE**

Thomas & Betts
A Member of the ABB Group

ORIGINAL PROJECT NO / ECN NO
003V001056 / ECN000083908

SHEET NO:
1 OF 1

REV. NO:
A

DRAWING NO:
WSD-002607